

1

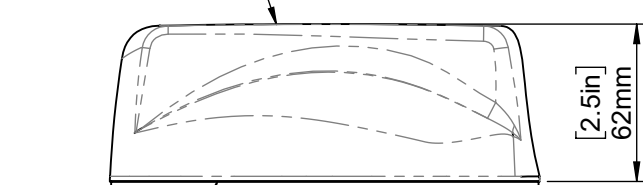
2

3

4

5

HOUSING MOULDED IN WHITE A.S.A.



BASE: ALUMINIUM

SLOTTED NUT AND SHAKEPROOF WASHER

CS29 COAX CABLE 300mm LONG (2 POSITIONS)

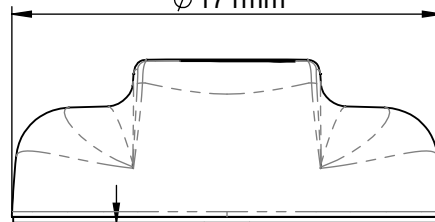
SMA PLUGS

FME JACK

SMA JACKS

RG174 Ø 2.8 COAX CABLE 300mm LONG (5 POSITIONS)

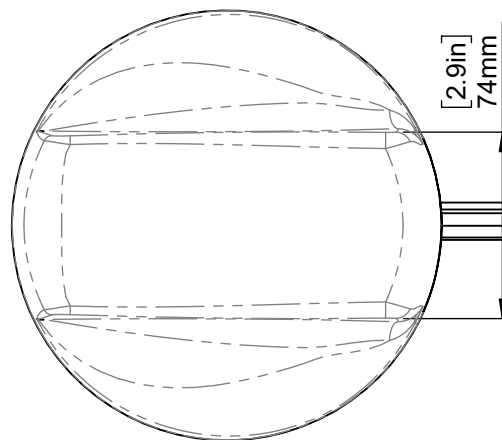
[6.7in] Ø 171mm



7mm [0.3in] MAX. PANEL THICKNESS

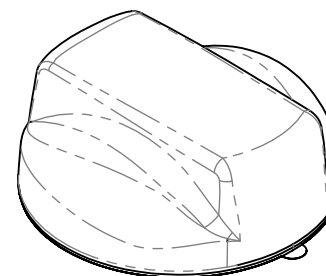
M18 X 1

2.3 [0.1in] ADHESIVE PAD



[2.9in] 74mm

ISO VIEW SCALE 1:4



NOTES:

- SAMPLES MUST BE APPROVED BY PANORAMA ANTENNAS Q.C. BEFORE COMMENCING PRODUCTION.
- ALL MATERIALS SUPPLIED MUST BE RoHS2 (DIRECTIVE 2011/65/EU) COMPLIANT AND MUST NOT CONTAIN ANY SUBSTANCES OF VERY HIGH CONCERN (SVHCs) LISTED UNDER REACH OR POLY-AROMATIC HYDROCARBONS (PAHs), OR PERSISTENT ORGANIC POLLUTANTS (POPs) CONTROLLED BY THE STOCKHOLM CONVENTION.

OPERATING FREQUENCIES:

- CELL FEED 1: 698-960 / 1710-2700 MHz
- CELL FEED 2: 698-960 / 1710-2700 MHz
- WIFI FEED 3: 2400-2485 / 4900-6000 MHz
- WIFI FEED 4: 2400-2485 / 4900-6000 MHz
- WIFI FEED 5: 2400-2485 / 4900-6000 MHz
- WIFI FEED 6: 2400-2485 / 4900-6000 MHz
- GPS/GNSS Feed 7 : 1562-1612MHz 26dB LNA



PRODUCT/ASSEMBLY
1012 - MIMO AND DIVERSITY ANTENNAS

DESCRIPTION
LOW PROF MIMO 2G/3G/4G +GPS/GNSS + 4x4 MIMO WIFI - WHITE

MATERIAL
N/A

FINISH
N/A

WEIGHT
480g

APPROVED KD DO.CHECK IC

SCALE 1:3 DIMENSIONS IN mm

DO NOT SCALE 3RD ANGLE PROJECTION

--	--	--	--

--	--	--	--

01019	1	PRODUCTION ISSUE	22/06/2017	PE
-------	---	------------------	------------	----

01019	2	3D FILE UPDATED FOR PRODUCTION DRAWING	26/07/2017	IC
-------	---	--	------------	----

01019	3	UPDATE GPS MODULE TO GPS/GNSS	02/08/2017	MM
-------	---	-------------------------------	------------	----

PCN	REV.	DESCRIPTION	DATE	DRN
-----	------	-------------	------	-----

TOLERANCES UNLESS OTHERWISE STATED

0 DEC. PLACE ±0.5 2 DEC. PLACES ±0.1

1 DEC. PLACE ±0.2 ANGULAR ±1°

△ DENOTES LATEST ISSUE CHANGES

○ DENOTES CRITICAL VALUE



THIS DOCUMENT MUST NOT BE COPIED OR DISCLOSED TO A THIRD PARTY WITHOUT THE WRITTEN CONSENT OF PANORAMA ANTENNAS LTD.